

PLAYER MAP

Maximize win rate on your must-win pursuits with PROactive

- **Coaching:** live on webinar for 30-60 minutes

- ✓ One-on-one with sales exec or with sales team

1. **Player Map:** coach bridges and PLAN 3D

- ✓ Finetuned & shared with sales & management

2. **Project:** check Quali-5 criteria and steps

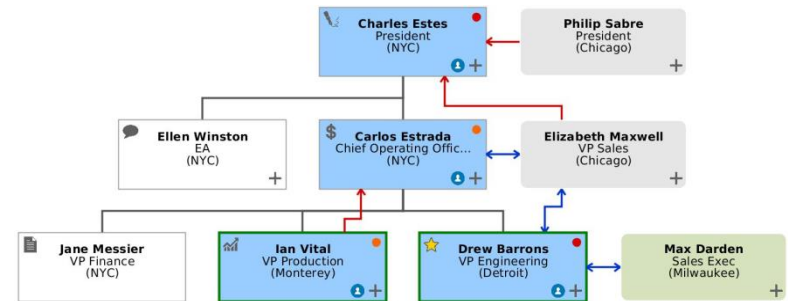
- ✓ Quali-5 draft delivered to sales & management

3. **Plan:** tune & test your value and strategy

- ✓ Written plan delivered to sales & management

- **Analysis:** review client, Player Map and plan

- ✓ Time we invest ensuring your plan is optimized



Sell more sooner when you Player Map it

If questions, ping us at pmx@playermap.com or 1.414.921.2550